



# CM400 Series

## PROFESSIONAL & ADVANCED EDUCATIONAL MICROSCOPE

This high performance small footprint microscope is designed for those who require superior optical performance in a smaller size with the ability to upgrade as needs change. From bright field to dark field to phase contrast, the CM400 is well suited for a wide variety of applications in Advanced Education, Medical and Veterinary Diagnostic Medicine.

### General Features:

The CM400 has full size features in a small package. It features an ergonomic Seidentopf head that rotates 360 degrees in two axis and offers a wide interpupillary range. The precision co-axial focus has a large low drive, research grade, mechanical stage with room for two slides. The reverse facing nosepiece protects the objectives and provides clear access to the stage.

### Illumination:

The CM400 is equipped with the latest high power LED lighting system that renders a more uniform output at any level with a much higher color temperature beam, while producing little or no heat.

### Optical System:

The CM400 can be equipped high resolution Achromatic objectives, Semi Plan or Plan objectives. Every 40x objective and condenser is sealed to protect against oil immersion contamination.

### Upgradeable:

Designed for upward mobility, the CM400 can be equipped with phase contrast, dark field and polarization.



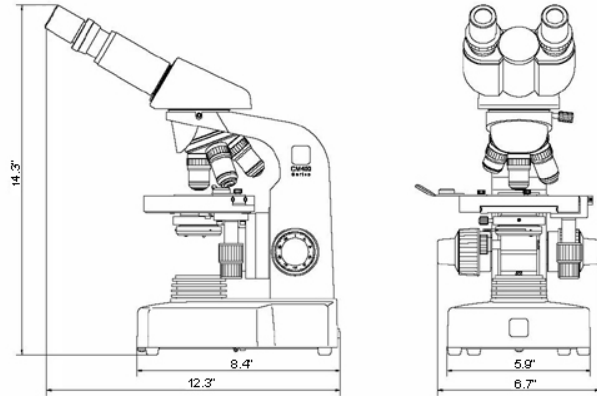
## Features At A Glance

- ◇ Big features in a Small foot print
- ◇ Seidentopf head
- ◇ W10X 18mm eyepieces standard
- ◇ High Performance objectives from Achromatic to Plan Achromatic
- ◇ Sealed 40x & Condenser
- ◇ Multi Discipline System: Bright field, Dark field and Phase Contrast
- ◇ All metal gearing
- ◇ High performance 3 watt LED illumination
- ◇ Cool white light at 6000 Kelvin
- ◇ Long life LED bulb
- ◇ UL/CE Adapter

Nexcope

# CM400 Series

## Specifications



LENGTH	WIDTH	HEIGHT	WEIGHT
8.4"	6.7"	14.3"	10 lbs

MODEL	HEAD	EYEPIECE	OBJECTIVES	CONDENSER	ILLUMINATOR
<b>CM401</b> w/ Achromatic	Seidentopf Binocular Head	W10XD 18mm	4XD, 10XD, 40XRD (sealed) 100XRD Achromatic	Abbe 1.25 NA (sealed) Rack & Pinion	3W LED w/Dimmer Switch
<b>CM402</b> w/ Semi-Plan	Seidentopf Binocular Head	W10XD 18mm	4XD, 10XD, 40XRD (sealed) 100XRD Semi Plan	Abbe 1.25 NA (sealed) Rack & Pinion	3W LED w/Dimmer Switch

### Accessories for CM400 Series:

#### OCCULAR HEAD

CMA470 Seidentopf binocular head  
 CMA471 Seidentopf trinocular head w/ Ø23.2mm port  
 CMA472 Digital binocular head 1.3MP

#### EYEPIECES

CMA376 W10XD, 18mm  
 CMA431 W15XD

#### OBJECTIVE KITS & SINGLE OBJECTIVES

CMA421 4XD Achromatic  
 CMA422 10XD Achromatic  
 CMA423 20XRD Achromatic  
 CMA424 40XRD(Sealed) Achromatic  
 CMA425 60XRD Achromatic  
 CMA426 100XRD Achromatic  
 CMA520 4XD, 10XD, 40XRD (Sealed), 100XRD Semi Plan

#### PHASE CONTRAST

CMA550 Carousel Phase Kit  
 Includes 4X, 10X Phase, 40X Phase, 100X Phase plan objectives, multi phase carousel for phase, bright field & dark field, 1.25NA condenser, centering telescope and green filter  
 CMA560 Professional Phase Kit  
 Includes plan phase objectives 10X, 20X, 40X, 100X, turret with 1.25NA condenser, centering telescope and green filter

#### DARK FIELD CONDENSER

CMA576 Dark field condenser  
 CMA577 Dark field condenser- higher contrast and higher brightness  
 CMA578 Dark field plan objective 100X with iris diaphragm

#### SIMPLE POLARIZING KIT

CMA475 Polarizing kit with polarizer and analyser

ISO9001:2000



00109Q11543R2M/3

ISO14001:2004



00107E20511R0M/330



**Design Changes:**  
**Nexcope**  
 reserves the right to make changes in instrument design in accordance with changes in technology without notice or obligation.

CAESA-LAB INC.

Tel: (450) 441-5408

[www.caesalabinc.com](http://www.caesalabinc.com)

[info@caesalabinc.com](mailto:info@caesalabinc.com)